



Service Bulletin

Bulletin No: SB-0010-19-214-SW Effective Date: 08-02-2019

Type: Instructional

Subject: SCR12 and SCR24 Charge Controller Test Points

Scope

This service bulletin provides information on test points for the SCR12 and SCR24 charge controllers.

Test points

Figure 1 shows the test point locations for both the SCR12 and SCR24 charge controllers. Table 1 provides the **approximate** resistance readings of a functional charge controller that should be observed when using a multimeter connected between each post (shown as A and B).

Note: The readings shown in Table 1 are provided as a guide only and may vary slightly from actual test results.

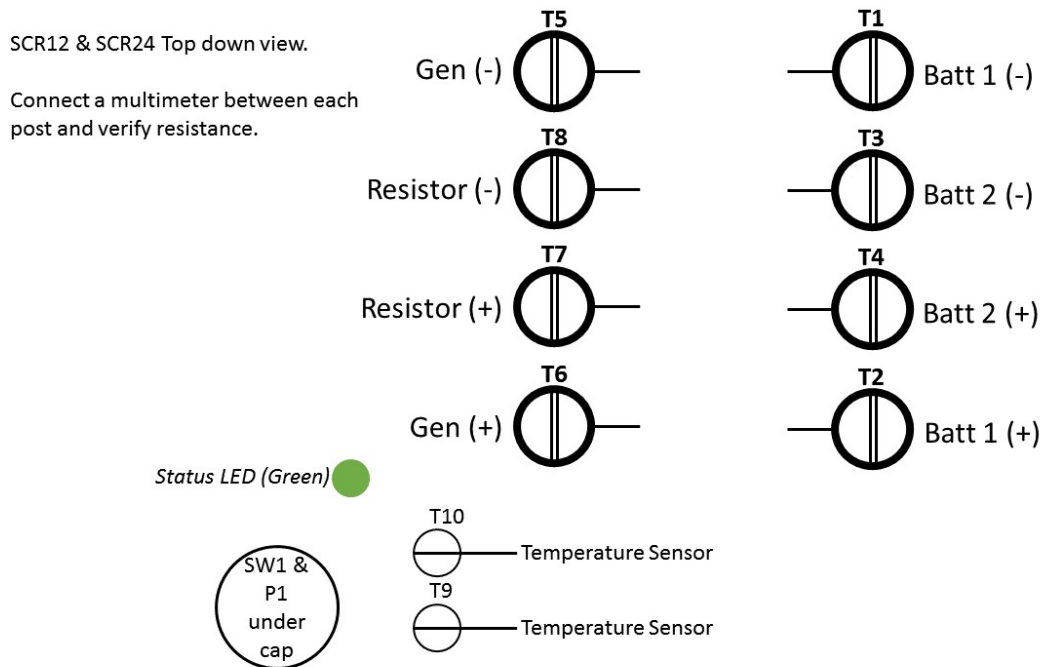


Figure 1

Post A	Post B	Resistance	Post A	Post B	Resistance
T1	T2	1.60 MΩ	T5	T6	0.3 Ω
T1	T3	16.50 MΩ	T5	T7	2.67 kΩ
T1	T4	16.30 MΩ	T5	T8	2.46 MΩ
T1	T5	32.2 kΩ	T6	T7	2.67 kΩ
T1	T6	32.2 kΩ	T6	T8	4.40 MΩ
T1	T7	0.164 MΩ	T7	T8	4.40 MΩ
T1	T8	15.66 MΩ	T9	T1	4.83 MΩ
T2	T3	1.46 MΩ	T9	T2	4.83 MΩ
T2	T4	15.46 MΩ	T9	T3	1.151 kΩ
T2	T5	32.2 kΩ	T9	T4	1.151 kΩ
T2	T6	32.2 kΩ	T9	T5	13.10 MΩ
T2	T7	0.164 MΩ	T9	T6	12.97 MΩ
T2	T8	14.58 MΩ	T9	T7	12.84 MΩ
T3	T4	0.3 Ω	T9	T8	1.151 kΩ
T3	T5	9.30 MΩ	T9	T10	0.831 kΩ
T3	T6	9.10 MΩ	T10	T1	13.40 MΩ
T3	T7	9.10 MΩ	T10	T2	13.40 MΩ
T3	T8	0.3 Ω	T10	T3	0.571 kΩ
T4	T5	6.42 MΩ	T10	T4	0.571 kΩ
T4	T6	6.42 MΩ	T10	T5	12.18 MΩ
T4	T7	6.42 MΩ	T10	T6	12.12 MΩ
T4	T8	0.3 Ω	T10	T7	12.05 MΩ
			T10	T8	0.571 kΩ

Table 1

For additional information or assistance, please contact Mission Critical Energy at (716) 276-8465 or visit us at www.missioncriticalenergy.com.



superwind GmbH

Am Rankewerk 2-4

D-50321 Brühl

Germany

Tel: +49 / 2232 / 577357

Fax: +49 / 2232 / 577368

Email: power@superwind.com

www.superwind.com

Mission Critical Energy, Inc

1801 North French Rd

Getzville, NY 14068 USA

Tel: +1-716-276 8465

Email: power@missioncriticalenergy.com

www.missioncriticalenergy.com