



Service Bulletin

Bulletin No: 0006-18-301-SW35X-ARS Effective Date: 11-28-2018 Type: Installation

Subject: SW35X-ARS remote switch installation.

Scope

This service bulletin provides instructions for installation of the **SW35X-ARS** remote switch.

Specifications

The **SW35X-ARS** remote switch (12V, 24V and 48V models, *Figure 1*) is designed to work with correlating output voltage versions of the SW350 or SW353 turbines.

Installation

The **SW35X-ARS** is designed to be inserted in-line between the Stop Switch and the system charge regulator (*Figure 2*). The **SW35X-ARS** draws its control power from the system battery and is controlled with a dry contact (i.e. volt free) in whatever remote controller or S.C.A.D.A (Supervisory Control And Data Acquisition) system is being used.

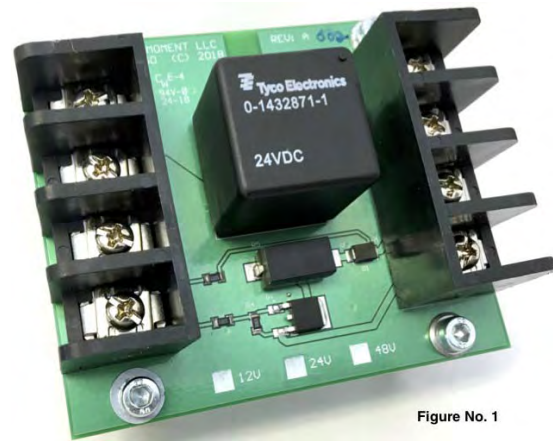


Figure No. 1

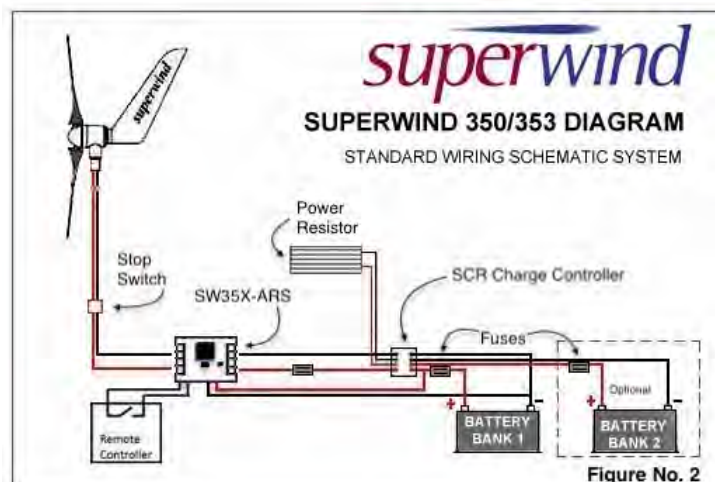


Figure No. 2

Figure 2: Typical Installation of a SW35X-ARS

Wiring

The **SW35X-ARS** has four pairs of terminals (positive and negatives) that accept wires (maximum size of 8 AWG) with or without a terminal connection installed.

Figure 3 shows the labels for each terminal and wiring connections.



Figure 3: SW35X-ARS

Superwind Positive:

The positive wire from the Superwind 350/353 Manual Switch connects to this terminal (Gen+).

Superwind Negative:

The negative wire from the Superwind 350/353 Manual Switch connects to this terminal (Gen-).

Remote Control Positive:

Connect one side of the dry contact of the remote-control device to this terminal (DRY SW+).

Remote Control Negative:

Connect the other side of the dry contact of the remote-control device to this terminal (DRY SW-).

Charge Control Positive:

The positive wire going to the Charge Controller positive terminal connects to this terminal (SRCCC+).

Charge Control Negative:

The negative wire going to the Charge Controller negative terminal connects to this terminal (SRCCC-).

Battery Positive:

The positive wire going to the battery positive terminal connects to this terminal (DC PWR+).

Battery Negative:

The negative wire going to the battery negative terminal connects to this terminal (DC PWR-).

NOTE: The Negative terminals are not connected internal to the SW35X-ARS.

Operation

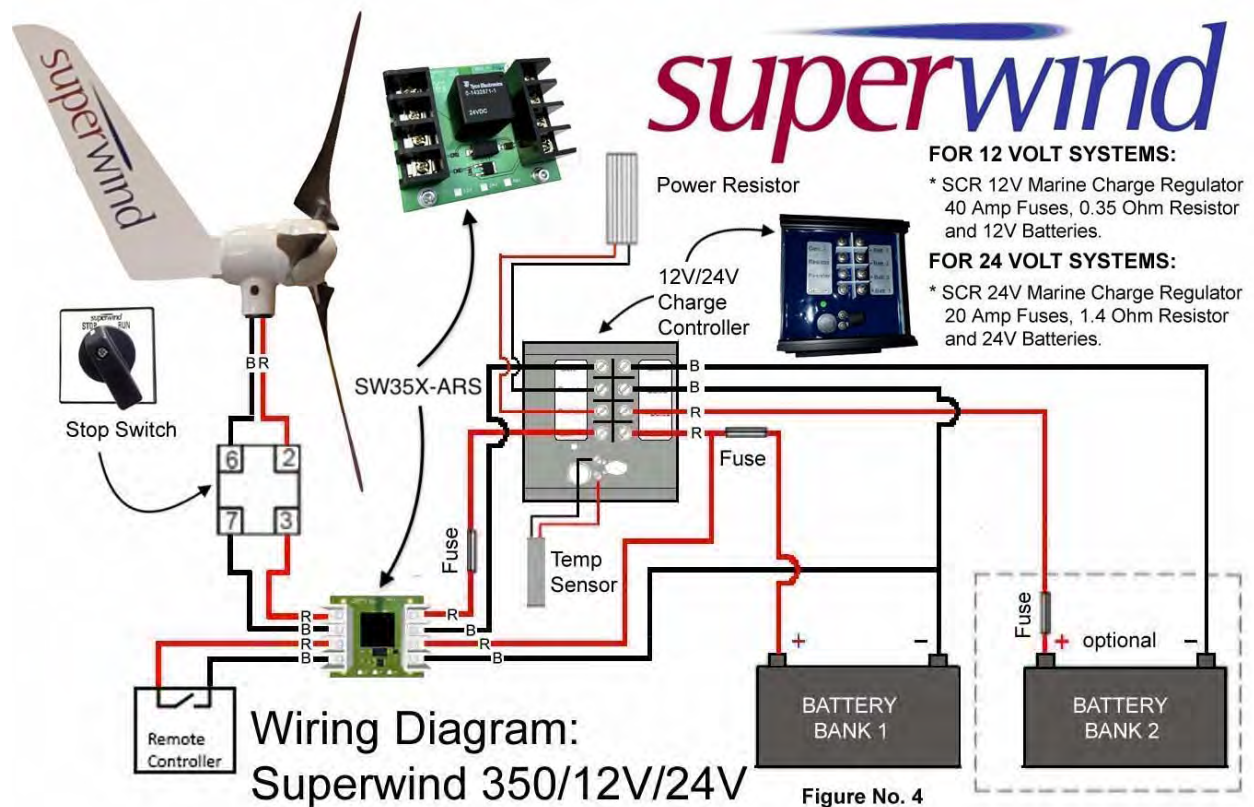
Battery Power: Battery power is required to operate the **SW35X-ARS**. If battery voltage is removed, the **SW35X-ARS** will disconnect the turbine from the Charge Controller.

Remote Control Off: When the Remote Control Positive and Negative terminals are disconnected, the **SW35X-ARS** will disconnect the turbine from the Charge Controller.

Remote Control On: When the Remote Control Positive and Negative terminals are connected, the **SW35X-ARS** connects the turbine output to the Charge Controller input.

Figure No. 4: Typical Installation for a Superwind 350 12 Volt or 24 Volt system.

Figure No. 5: Typical Installation for a Superwind 350 48 Volt or Superwind 353 48 Volt system.



superwind

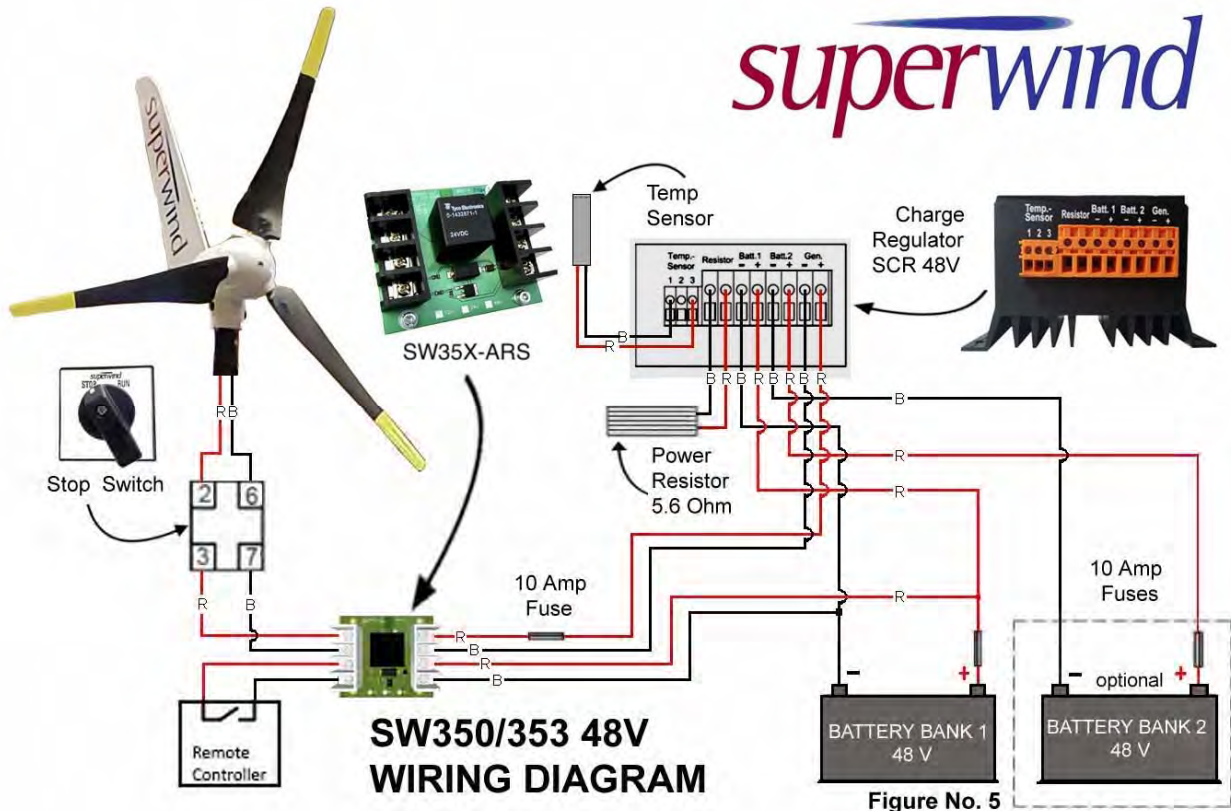


Figure No. 5

superwind

superwind GmbH

Am Rankewerk 2-4

D-50321 Brühl

Germany

Tel: +49 / 2232 / 577357

Fax: +49 / 2232 / 577368

Email: power@superwind.com

www.superwind.com

Mission Critical Energy, Inc

1801 North French Rd

Getzville, NY 14068 USA

Tel: +1-716-276 8465

Email: power@missioncriticalenergy.com

www.missioncriticalenergy.com