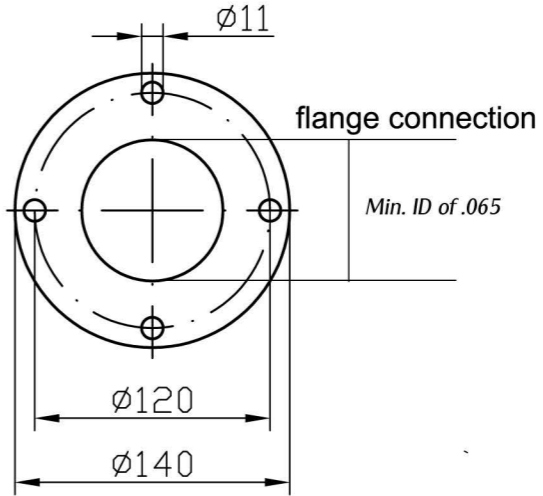
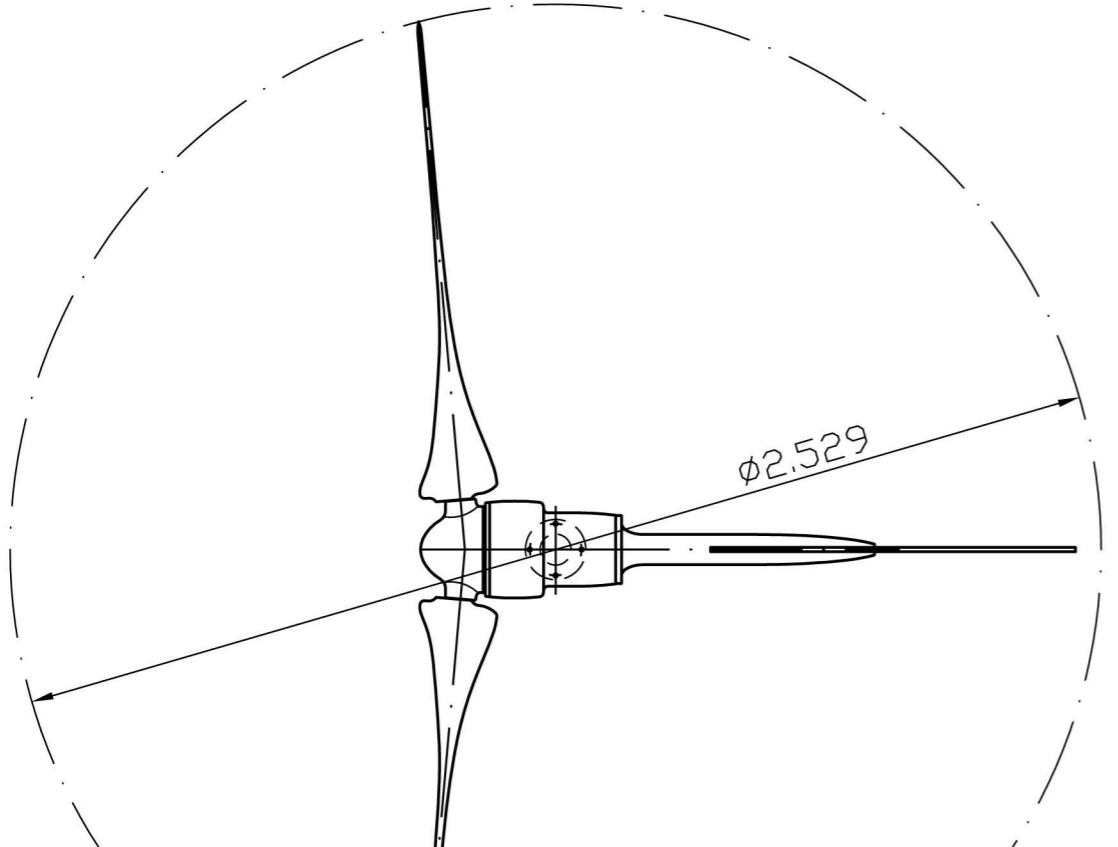
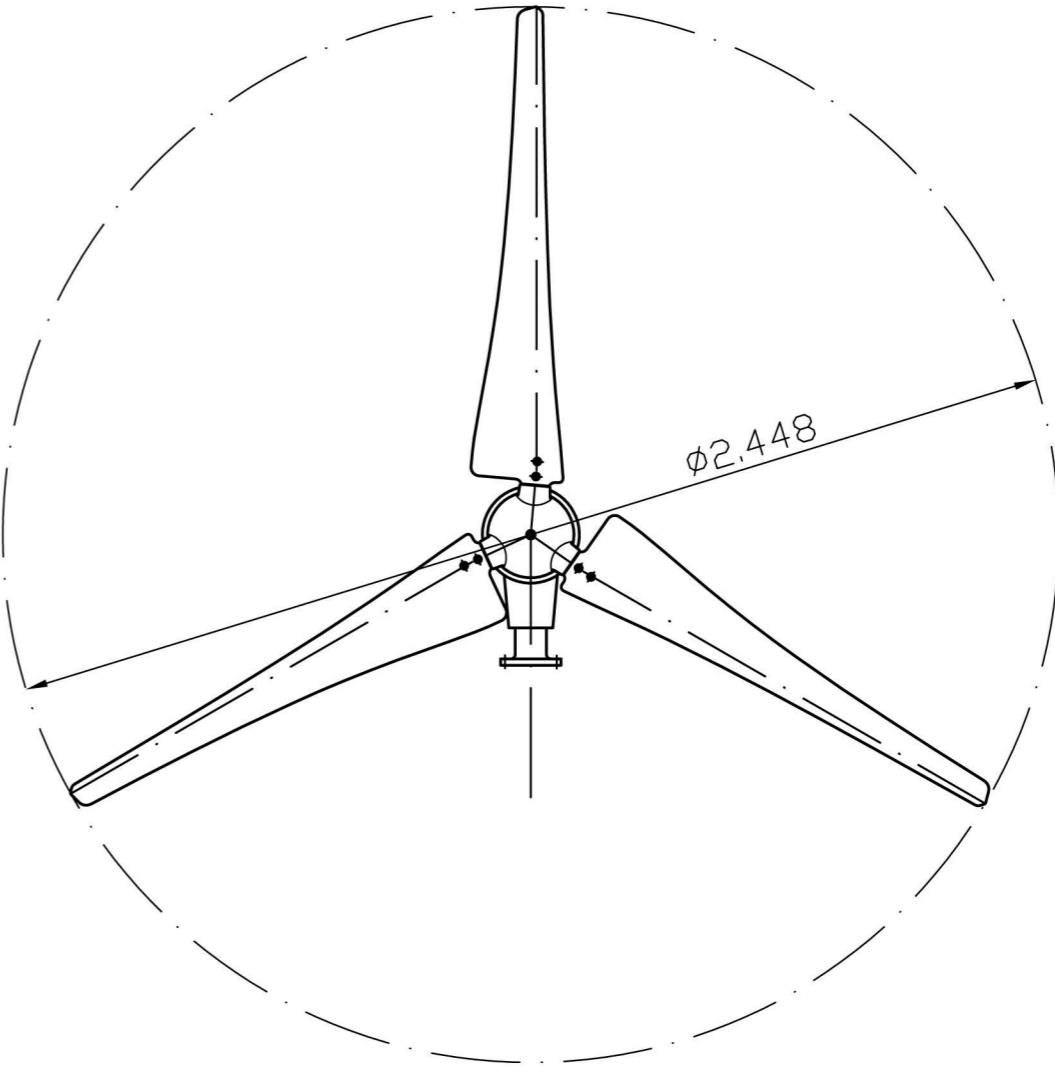
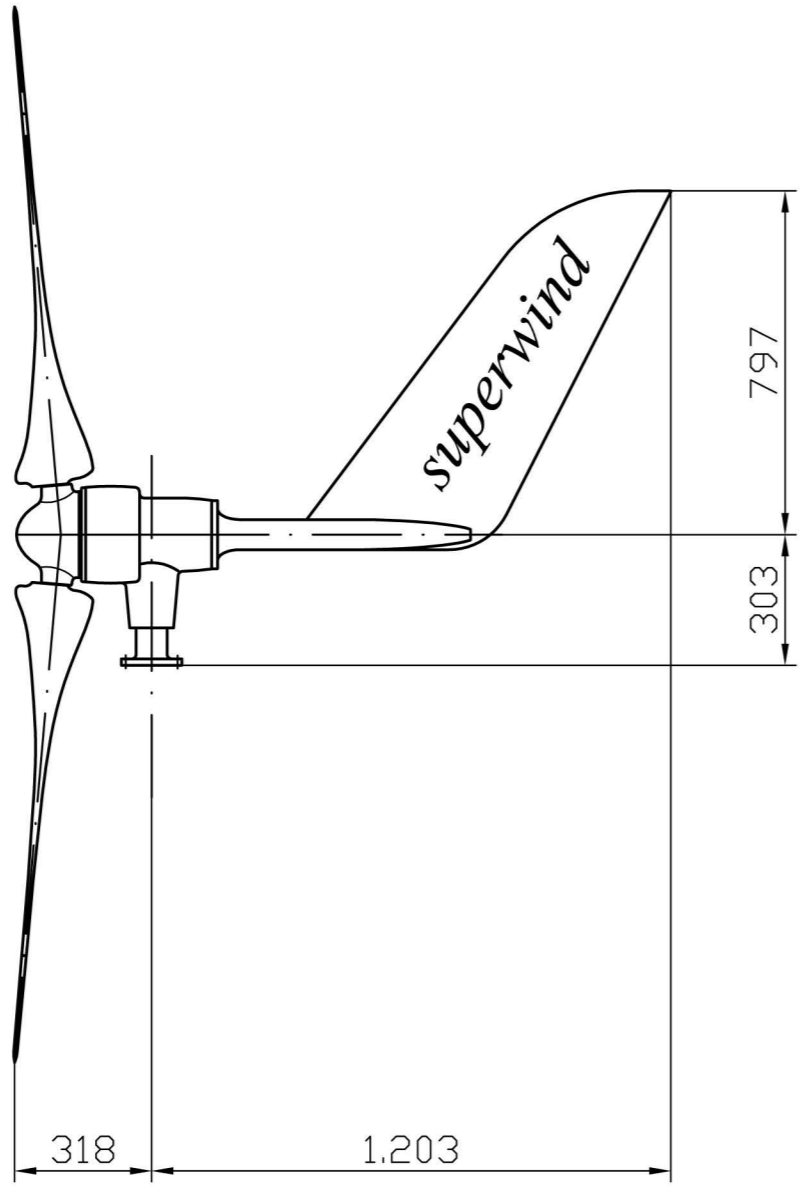


The reproduction and / or divulgation of this drawing or its included information is strictly prohibited unless authorized by the owning superwind GmbH.
(Copyright reserved)



project		tolerances		surfaces		scale 1:20 (1:5)		weight	
Superwind 1250						raw material			
		date		name		Main Dimensions			
		drawn 12.01.12		v. Egeren					
		check.							
				superwind GmbH		1250.00.00.00		sheet	
				Am Rankewerk 2-4 D - 50321 Brühl Germany					
ident	changes	date	name	source	replacement for		replaced by		